



Euro-AC (M12) Series Receptacles

4 & 5 Conductor MEC Series Receptacles, 22AWG



Back Mount Receptacles | 300 Volt, 4 amps | IP67 Rating



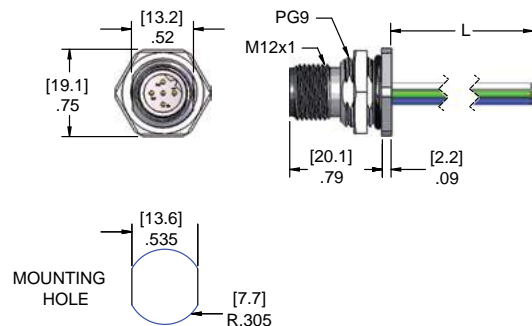
# of Poles	Male Faceview	Color Code	Rating	Wire AWG	Male Receptacles	Female Receptacles
4	<p>M12 x 1</p>	1. Brown 2. Blue 3. Black 4. Green/Yellow 5. Not Used	300V 4A	22 AWG	MEC-4MR-BM	MEC-4FR-BM
				18 AWG	MEC-4MR-BM-18	MEC-4FR-BM-18
5	<p>M12 x 1</p>	1. Brown 2. White 3. Blue 4. Black 5. Green/Yellow	300V 4A	22 AWG	MEC-5MR-BM	MEC-5FR-BM
				18 AWG	MEC-5MR-BM-18	MEC-5FR-BM-18

12" leads are standard. Longer lead lengths are available, please consult the factory for part numbers.

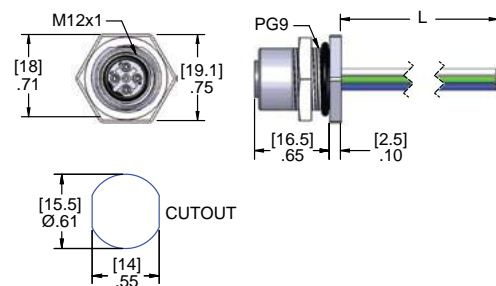
Specifications:

Shell: Nickel Plated Brass
 Insulator: Polyamide
 Wire: 22 AWG: 300V, UL Style 1007/1569
 Contacts: Copper Alloy with Gold Plating
 Jam Nut: Nickel Plated Brass
 O-Ring: NBR
 Temperature: -40°C to +105°C (-40°F to +221°F)

Male Receptacle



Female Receptacle



EURO-AC (M12) Series